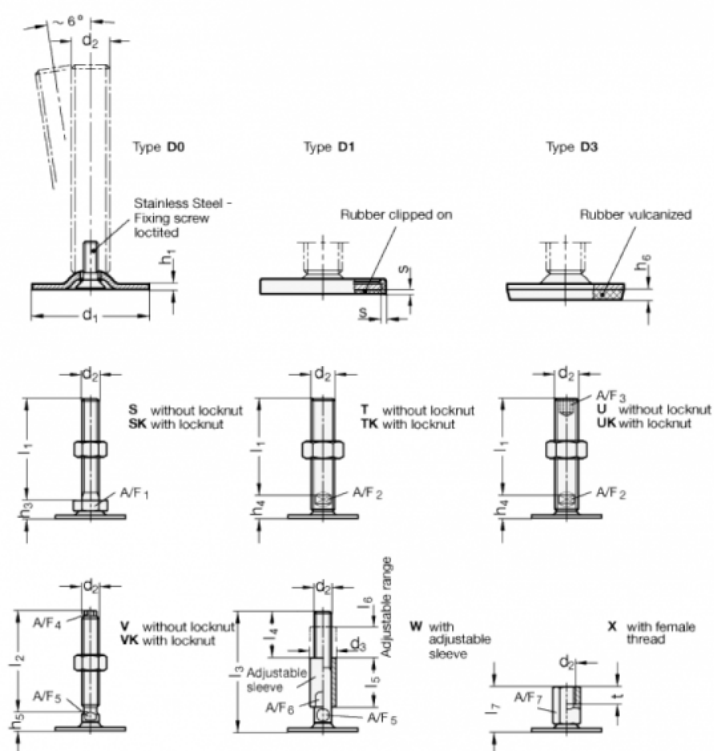


Article number: 204150M16150D3T
 Description: E+G levelling foot
 GN 41-50-M16-150-D3-T
 Note: T Without nut, Wrench flat at the bottom

Measures



A/F2 = 12
 d_1 = 50
 d_2 = M16
 h_1 = 2.5
 h_4 = 17
 h_6 = 4
 l_1 = 150
 s =